

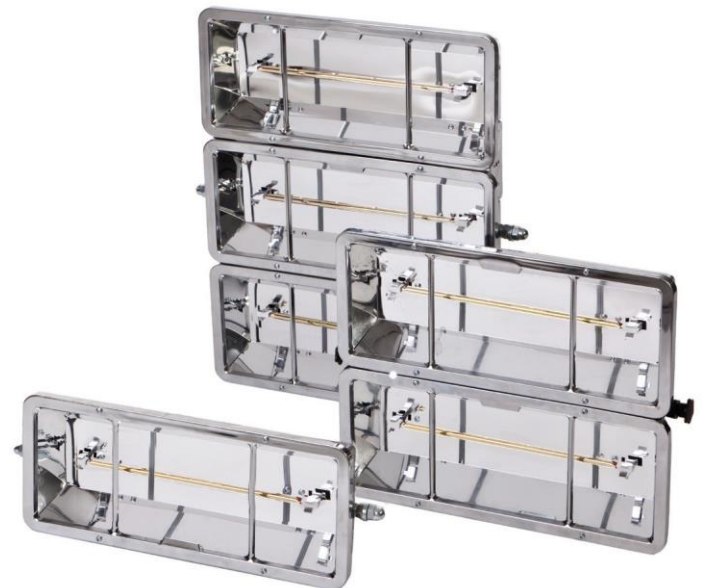
APPLICATIONS

Radiant heat is an efficient way of heating large poorly insulated drafty buildings and for heating specific areas. Quartz infra red heaters are therefore well suited to warehouses, factories, loading areas, garages, sports halls and, as they are noiseless in operation, churches. They are also ideal for intermittent heating where instant response is required, they give full output within seconds of switch on. Proximity sensors can be used to ensure the heater is only on when the area is occupied.

FEATURES

- Polished aluminium reflector for maximum efficiency
- Polished stainless steel body
- Chromed steel guard protects lamp from accidental damage
- Versatile mounting bracket
- Units available from 1500W to 6000W
- Gold low glare lamps
- Noiseless in operation
- Instant heat
- Designed for spot heating

Compatible with –
CPIR – 16A Passive Infra Red
Movement Sensor



Order Hotline: 01450 372103

CONTROL

Instant response allows easy efficient control of individual units or in zones for larger areas. PIR sensors of suitable current rating (CPIR) can be used to only allow heat when the area is occupied. Any air thermostats used should be positioned out of the direct line of heat.

INSTALLATION

The units must be mounted with the lamps horizontal and the back of the unit at a minimum of 30° to the horizontal. Minimum mounting dimensions must be observed.

They should be connected with heat resisting cable to a suitably fused power supply via a 2 pole switched connection unit, having a contact separation of at least 3mm in all poles. Switchgear should be sized to take into account the high initial inrush current.

All electrical connections should be made by a suitably qualified person in accordance with the latest edition of the IEE Requirements for Electrical Installation (BS 7671:2008).

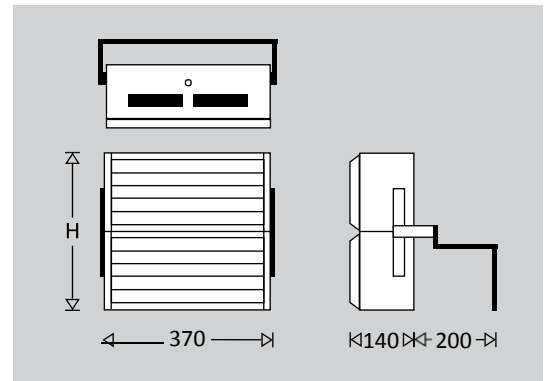
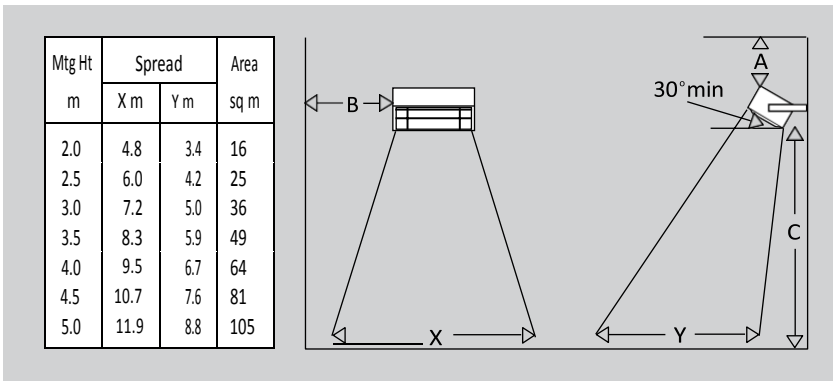
DO NOT locate close to surfaces or materials that may present a risk of fire.

SELECTION

- 1) Determine the area to be heated (A m²) and the height of possible locations of the heaters
- 2) Select the appropriate intensity (W w/m²) from the table. Take into account construction of building and activity levels.
- 3) Required installed load is $W \times A/1000$ (kW)
- 4) Select heaters taking into account mounting height, spread of heat and area to be covered. The area should ideally be heated from two directions.

A greater number of units will give a more even heating effect. Gold low glare lamps give reduced visible light and increased heat. Consult our Technical Department for further assistance.

Building Type	Intensity
Canteens, Waiting Rooms	140-170
Churches	220-280
Loading Bays	180-220
Shops	130-170
Sports Halls	110-130
Warehouses	180-210
Workshops, Garages	150-200



CAT No.		No. of Lamps	Watts	Volts	Length mm	Height (H) mm	Depth mm	Weight kgs	Minimum Distance mm			Trade Price
									A	B	C	
CQIR-1500N	Gold lamp	1	1500	230	370	170	140	2.8	300	300	1800	£110
CQIR-2000N	Gold lamp	1	2000	230	370	170	140	2.8	300	300	2500	£120
CQIR-3000N	Gold lamp	2	3000	230	370	350	140	4.8	500	500	3000	£205
CQIR-4000N	Gold lamp	2	4000	230	370	350	140	4.8	500	500	3000	£225
CQIR-4500N	Gold lamp	3	4500	230	370	530	140	6.9	500	500	3000	£315
CQIR-6000N	Gold lamp	3	6000	230	370	530	140	6.9	500	500	4000	£340
CPIR	Passive Infra Red movement sensor (16A)											£45