

# FTR | Finned Tube Radiator



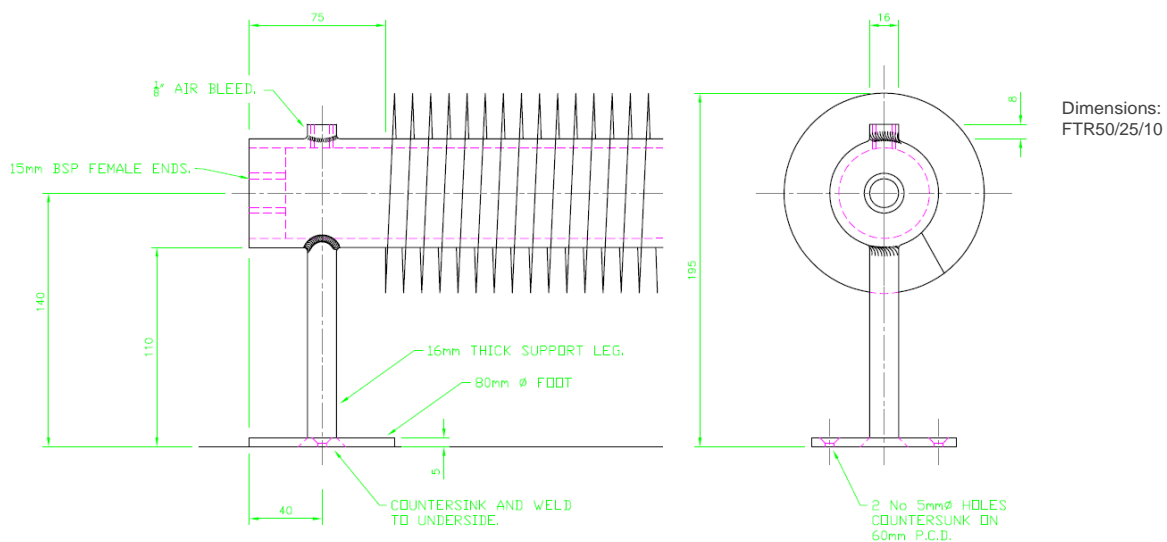
## APPLICATIONS

Finned Tube Radiators from Turnbull & Scott are a stylish and effective, space saving radiator with superb performance. Designed for use with hot water heating systems, their innovative finned tube technology amplifies the heated radiant area creating a high-performance radiator that is compact, robust and unbelievably versatile.

Their simple, minimalist looks make them ideal for contemporary buildings as well as historical and refurbishment projects. They are perfect for applications where wall space is at a premium such as galleries, shops and reception areas.

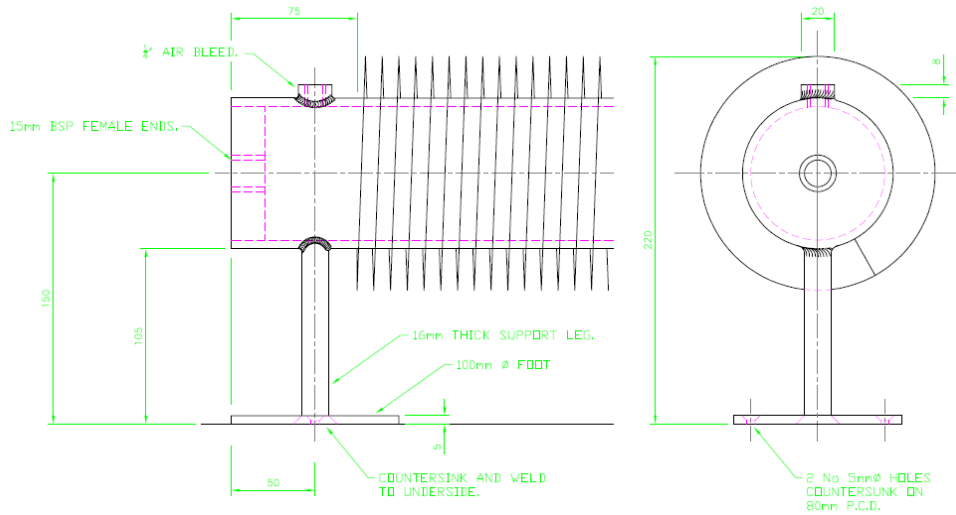
## FEATURES

- Manufactured in the UK from BS EN 10255 steel tube
- Suitable for hot water heating systems
- Powder coated in RAL 9005 black or RAL 9010 white as standard
- Available in 1000mm and 2000mm standard lengths
- Floor, wall or ceiling mountable
- Bespoke product available up to 6000mm



**Order Hotline: 01450 372103**

Dimensions:  
FTR80/25/10



## INSTALLATION

Finned Tube Radiators from Turnbull & Scott are suitable for floor, wall or ceiling mounting and should be installed by a suitably qualified person.

## BESPOKE DESIGN & MANUFACTURE

Finned Tube Radiators are available from stock in standard lengths of 1000mm and 2000mm, powder coated in black or white. They can also be made bespoke to order in any RAL colour or stainless steel, in lengths up to 6000mm. Sizes range from 25mm NB tube/over fin diameter 65mm – 100mm NB tube/over fin diameter 165mm. A curved option is also available – curved from a radius of 2m. For a bespoke design please contact our sales team directly.



Standard FTR Output - Watts Per Metre Run. Still Air 20°C

Mean Water Temp °C

60° 65° 70° 75° 80° 85° 90° 95° 100°

50/25/10	360	413	468	522	577	631	691	748	808
80/25/10	466	531	601	671	740	813	884	960	1032

CAT No.	Tube Nominal Bore(mm)	Fin Width (mm)	Fin Pitch (mm)	Diameter Over Fins (mm)	Length (mm)	Weight (kg)	Colour	Trade Price
FTR50/25/10-1B	50	25	10	108	1000	9.2	Black	£256
FTR50/25/10-1W	50	25	10	108	1000	9.2	White	£256
FTR50/25/10-2B	50	25	10	108	2000	18.4	Black	£348
FTR50/25/10-2W	50	25	10	108	2000	18.4	White	£348
FTR80/25/10-1B	80	25	10	137	1000	14.2	Black	£436
FTR80/25/10-1W	80	25	10	137	1000	14.2	White	£436
FTR80/25/10-2B	80	25	10	137	2000	28.4	Black	£568
FTR80/25/10-2W	80	25	10	137	2000	28.4	White	£568

**Order Faxline: 01450377800**