

COMMERCIAL &
INDUSTRIAL
HEAT

Part of
Turnbull & Scott™

CFT | Electric Finned Tube Radiator





A range of robust tubular heaters for heating applications where an IP65 rated heavy duty convector heater is required. Can be used in applications where washing down may occur.

Typical locations include reception areas and entrance halls, retail stores, museums, bathrooms, food storage areas, dairies, shipboard, container storage, kennels, catteries, zoos, greenhouses, plant & lift control rooms.

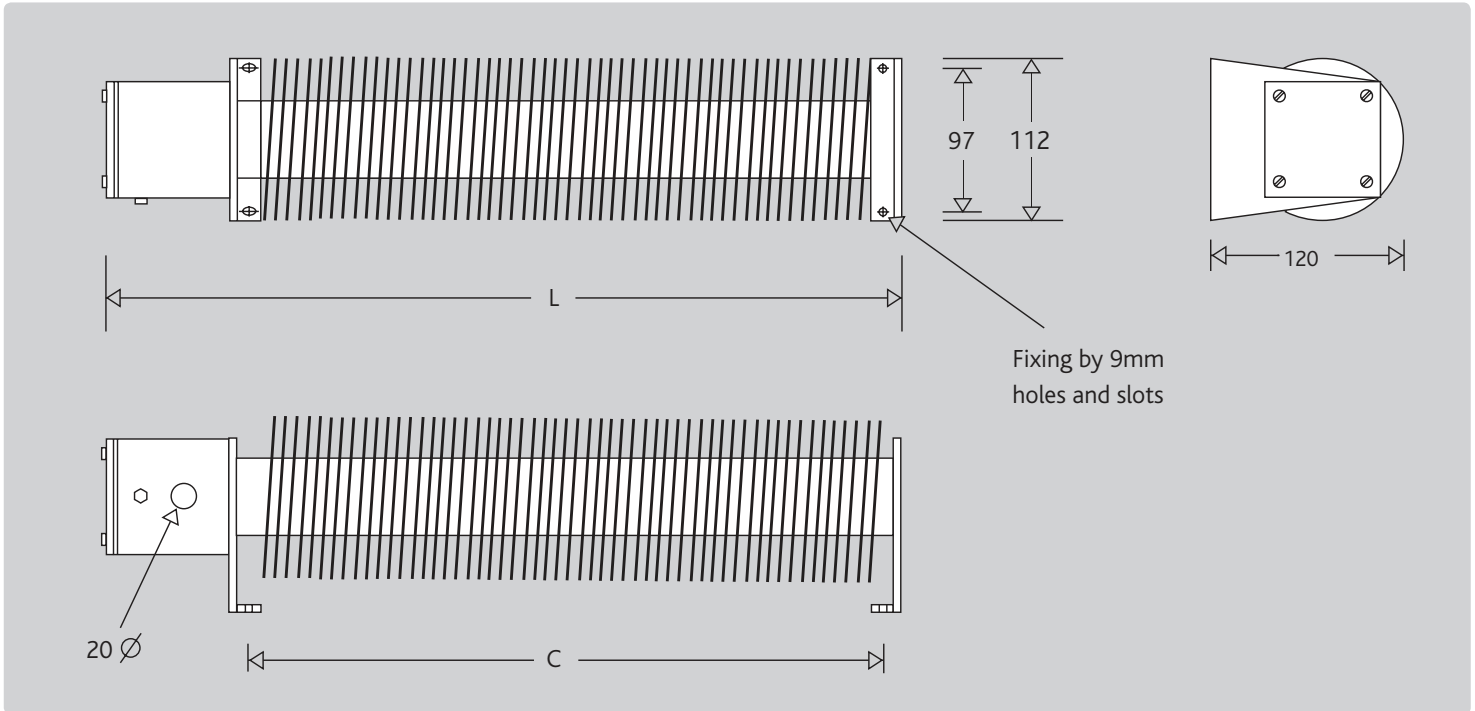
FEATURES

- Robust construction
- Heavy duty finned steel tube
- Reliable mineral insulated metal sheathed element
- Matt black finish high temperature powder coated to RAL 9005
- Suitable for floor or wall mounting (must be horizontal)
- Large terminal box for easy connections
- Terminal box welded to tube and sealed to IP65
- Slotted fixings for easier positioning
- 230V and 110V units as standard (other voltages also available)
- Special 24V 250W unit for mobile and small boat applications
- Matt black high temperature powder coat finish as standard

DIMENSIONS TABLE

Cat No.		Length (mm)	Fix Cent (C) (mm)	Height (mm)	Depth (mm)	Weight (kg)
CFT-0300		360	253	120	112	4.2
CFT-0500		585	478	120	112	7
CFT-0750		810	703	120	112	9.8
CFT-1000		1035	928	120	112	12.6
CFT-1500		1485	1378	120	112	18.3
CFT-2000		1935	1828	120	112	23.9
CFT-0301		360	253	120	112	4.2
CFT-0501		585	478	120	112	7
CFT-0751		810	703	120	112	9.8
CFT-1001		1035	928	120	112	12.6
CFT-1501		1485	1378	120	112	18.3
CFT-2001		1935	1828	120	112	23.9
CWG-0300	Wire guard for 0300/0301	400		155	155	0.8
CWG-0500	Wire guard for 0500/0501	600		155	155	1
CWG-0750	Wire guard for 0750/0751	850		155	155	1.2
CWG-1000	Wire guard for 1000/1001	1100		155	155	1.5
CWG-1500	Wire guard for 1500/1501	1550		155	155	2
CWG-2000	Wire guard for 2000/2001	2000		155	155	2.5

CFT Dimensions and fixing centres (mm)



ELECTRICAL PARAMETERS

Cat No.	IP Rating	Output: kW	Volts	Full Load Current (A)
CFT-0300	IP65	0.3	230	1.33
CFT-0500	IP65	0.5	230	1.67
CFT-0750	IP65	0.7	230	2.22
CFT-1000	IP65	1	230	4.44
CFT-1500	IP65	1.5	230	6.66
CFT-2000	IP65	2	230	8.88
CFT-0301	IP65	0.3	110	2.85
CFT-0501	IP65	0.5	110	4.75
CFT-0751	IP65	0.7	110	7.13
CFT-1001	IP65	1	110	9.5
CFT-1501	IP65	1.5	110	14.26
CFT-2001	IP65	2	110	19.01

SPARES LIST

Cat No.	Output: kW	Volts	Part Number	Part Description
CFT-0300	0.3	230	B034-01	Element
CFT-0500	0.5	230	B035-01	Element
CFT-0750	0.7	230	B036-01	Element
CFT-1000	1	230	B037-01	Element
CFT-1500	1.5	230	B038-01	Element
CFT-2000	2	230	B039-01	Element
CFT-0301	0.3	110	B034-02	Element
CFT-0501	0.5	110	B035-02	Element
CFT-0751	0.7	110	B036-02	Element
CFT-1001	1	110	B037-02	Element
CFT-1501	1.5	110	B038-02	Element
CFT-2001	2	110	B039-02	Element

Installation Instructions

CFT Heavy Duty Tubular Heater

Remove from carton and remove all packing materials.

CAUTION:- THE HEATER MUST NOT BE COVERED.

LOCATION and MOUNTING

The heater should be positioned to allow an unrestricted airflow and minimum chance of being accidentally covered. It should not be positioned below a fixed socket outlet. The substantial integral mounting brackets allow mounting to either wall or floor in a HORIZONTAL position. Ensure the fixings used are adequate to support the weight of the unit.

GUARDING.

Although surface temperatures may be considered acceptable for some applications, the optional wire guard (CWG-xxxx) is recommended so that contact with the hot surface is avoided. Specific examples would be animal enclosures or tight spaces such as crane cabs etc.

ELECTRICAL CONNECTIONS.

Only **HEAT RESISTING** cabling should be used for direct connection to the terminal posts. All connections should be made to current regulations by a suitably qualified person. **Dependant on specification** the unit should be connected to a suitable power supply incorporating a means of disconnection having a contact separation of 3mm in all poles.

Connect as follows:-

- Live directly to first element terminal
- Neutral directly to second element terminal
- Green-yellow wire to terminal on terminal box marked with earth symbol

If installed in **WET** conditions suitable glands must be used to ensure IP65 integrity is maintained

WARNING: THE HEATER MUST BE EARTHED.

MAINTENANCE

The unit should be cleaned regularly to reduce build up of dust.

WARRANTY

This product is guaranteed, in accordance with our Conditions of Sale, for a period of 12 months from date of purchase. We will repair or replace, at our discretion, any part found to be defective. We cannot accept responsibility for any consequential liability. The warranty will be invalid if the heater has not been installed in accordance with these instructions. This does not affect your statutory rights.

Please keep these instructions for future reference.

The manufacturers reserve the right to change the specification at any time without prior notice E&OE

DECLARATION of CONFORMITY

Name of Manufacturer/Supplier	Commercial Industrial Heat Ltd Unit 1A, Burnfoot Industrial Estate, Hawick, Roxburghshire, TD9 8SL U K.
Description of Product:	Heavy Duty Finned Tubular Heater for wall or floor mounting.
Model No	CFT-xxxx
Serial No.	See product label.
Year of Manufacture	Incorporated in Serial No. C= 1995, D=1996 etc.
Directives/Regulations to which the Product conforms	1. EU Directive 2014/30/EU leading to The Electromagnetic Compatibility Regulations 2016 2016 No 1091, with specific reference to BS EN 61000 2. EU Directive 2014/35/EU leading to The Electrical Equipment (Safety) Regulations 2016, 2016 No 1101 with specific reference to BS EN 60335-1:2012 and BS EN 60335-2-30:2009+A11:2012
Name of Authorised Representative	S.R.Mcilwain
Position of Authorised Representative	Technical Director

Declaration

I declare that as the authorised representative, that the above information in relation to the supply/manufacture of this product is in conformity with the stated standards and other related documents following the provisions of EU Directives.

Signed.



**COMMERCIAL &
INDUSTRIAL
HEAT**

Commercial Industrial Heat Ltd
Unit 1A,
Burnfoot Industrial Estate,
Hawick,
Roxburghshire,
TD9 8SL
U K.
Tel +44 (0)1450 372053 Fax +44(0)1450 377800
Email info@turnbull-scott.co.uk

Commercial Industrial Heat is part of the Turnbull & Scott Group