

Installation Instructions

CQAC Fan Forced Wall Heater

Remove from carton and check contents :-

- grille, frame and fixing screws
- heater assembly fitted in CQAC-R recess box
- fixing screws (4)

HEATER LOCATION

The heater should be mounted vertically on the wall with the air outlet at the bottom. To ensure proper air distribution a minimum spacing from heater to closest adjacent wall, floor or ceiling of 200mm must be observed.

When RECESSED the flanges of the wall box MUST be on the finished surface of the wall .

RECESSED MOUNTING

- 1) Remove heater assembly (B) from CQAC-R Recess box (A) by removing 7 screws.
- 2) Create cut-out 491mm x 362mm in wall ensuring adequate fixing locations are available.
- 3) Remove appropriate knock out (K) and fix recess box. Pull through sufficient cable to make connections.
- 4) Make connections to terminal block and earth screw.
- 5) Install heater assembly into recess box and replace screws (7).
- 6) Fit grille (F) to heater securing with screws (4) supplied
- 7) Fit frame (P) to grille and secure with single screw in lower edge.


SURFACE MOUNTING

- 1) Securely fix recess box to wall via fixing holes in back.
- 2) Place surface box CQAC-S over recess box.
- 3) Use bottom knock-out only for surface fixing.

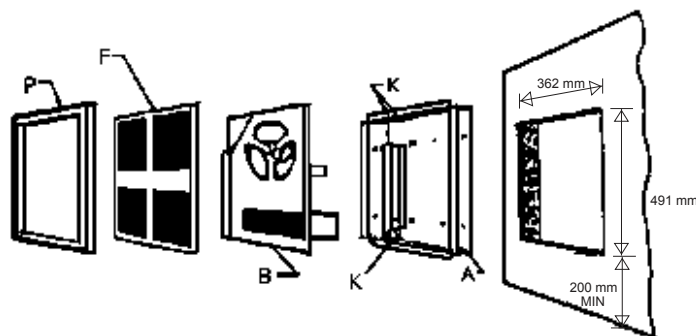
ELECTRICAL CONNECTIONS.

The Heater should be installed in accordance with the latest edition of the IEE Requirements for Electrical Installation (BS 7671:2008) by a suitably qualified person. The unit should be connected to a suitable 230Vac 50Hz.power supply incorporating a means of isolation having a contact separation of at least 3mm in all poles.

Connect as follows:-

- Green-yellow wire to terminal marked E , with earth symbol. 
- Blue wire to terminal marked N
- Brown wire to terminal marked L

WARNING: THE HEATER MUST BE EARTHED.



CONTROL

The heater is fitted with a double pole on and off which is operated through the grille. A fan delay unit is fitted which operates on the on and off cycle of the thermostat operation.

NOTE: On switch on there will be a delay as the elements heat up before the fan operates.

THERMOSTAT OPERATION

Turn thermostat fully clockwise. Allow heater to run until room is at desired temperature.

NOTE: Heater must run for approx. 5 minutes before thermostat will control at desired comfort level.

Turn thermostat counterclockwise until heater just turns off.

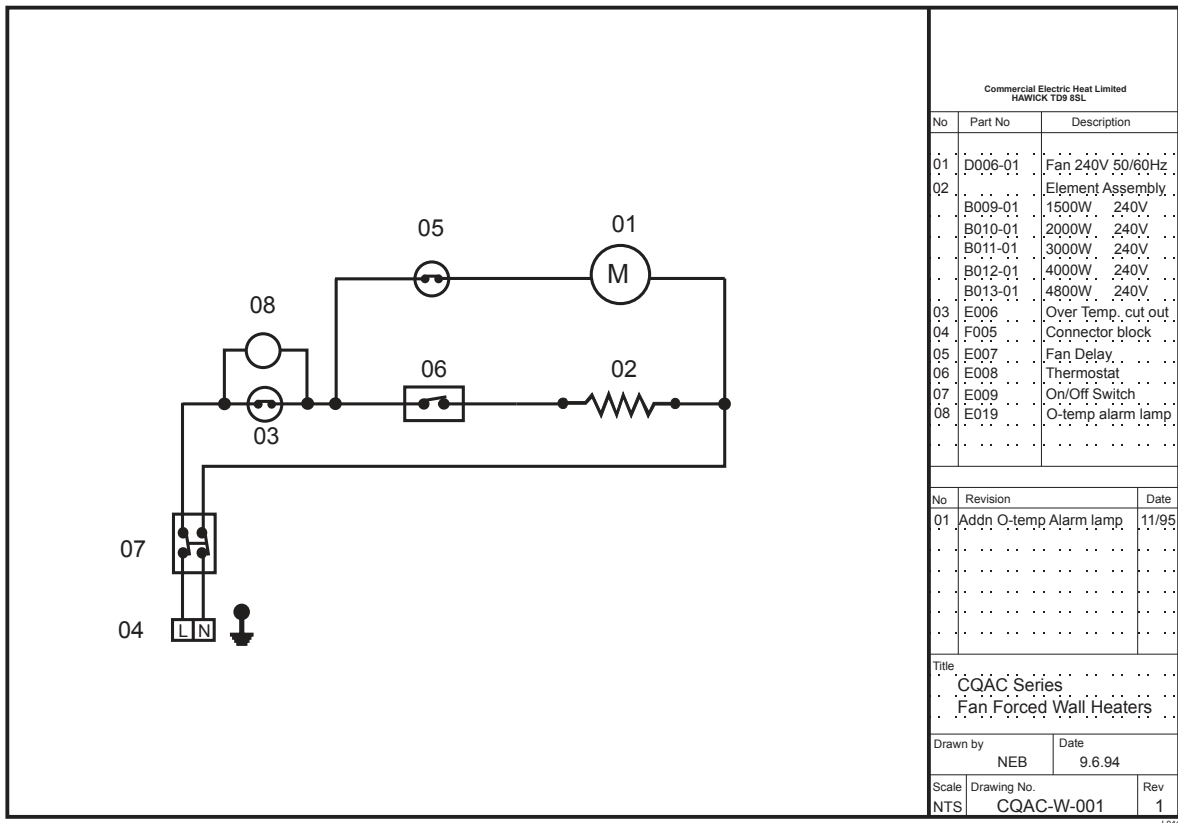
ALARM INDICATOR LAMP

This heater incorporates a visual alarm to warn that parts of the heater are getting excessively hot. If the alarm lamp illuminates disconnect from power supply and inspect for any objects on or adjacent to the heater that may cause high temperatures.

DO NOT OPERATE THE HEATER WITH ALARM LAMP ILLUMINATED

MAINTENANCE

The unit should be cleaned regularly to reduce build up of dust and the motor oiled with a light oil.



WARRANTY

This product is guaranteed, in accordance with our Conditions of Sale, for a period of 12 months from date of purchase. We will repair or replace, at our discretion, any part found to be defective. We cannot accept responsibility for any consequential liability.

The warranty will be invalid if the heater has not been installed in accordance with these instructions.

This does not affect your statutory rights.

Please keep these instructions for future reference.

The manufacturers reserve the right to change the specification at any time without prior notice E&OE

P01



Commercial Electric Heat Limited
Burnfoot Industrial Estate
HAWICK
Roxburghshire
TD9 8SL

Tel 01450 372103 Fax 01450 377800
Email sales@cehltd.co.uk Web www.cehltd.co.uk