

# Electric Finned Tube Radiator



**Turnbull & Scott™**  
Trusted.

# Electric Finned Tube Radiator



## PRODUCT DESCRIPTION

The electric finned tube radiator is designed for heating applications where an IP65 rated heavy-duty convector heater is required. The units can be used in applications where washing down may occur.

This tubular radiator is a highly robust electric convection heater used extensively in industrial environments for frost protection & temperature maintenance in plant rooms and cabinets, and for space heating in workshops, storage rooms, site offices.

The IP65 rating means it is also the first choice for sites where washing down may take place such as dairies, kennels & catteries, zoos, greenhouses and aboard marine vessels.

In addition to industrial applications, its ruggedly stylish look lends itself to commercial environments and public buildings also, such as libraries, museums, concert halls, retail stores and showrooms. The wire guard is recommended where close contact with people and animals cannot be avoided.

## FEATURES

- Heavy duty finned steel tube
- Reliable mineral insulated metal sheathed element
- Suitable for floor or wall mounting (must be horizontal)
- Large terminal box for easy connections
- Terminal box welded to tube and sealed to IP65
- Slotted fixings for easier positioning
- 230V and 110V units as standard (other voltages also available)
- Special 24V 250W unit for mobile and small boat applications
- Matt black high temperature powder coat finish as standard

## ACCESSORIES

- [Remote exterior frost thermostat - IP65 rated](#)
- [Remote interior frost thermostat](#)
- [Remote interior room thermostat -standard](#)
- [Remote interior room thermostat – tamper proof](#)
- [Programmable wireless thermostat](#)
- [Wire guard](#) for added safety
- Units and wire guards available in various RAL colours at additional cost – [contact us for pricing](#)

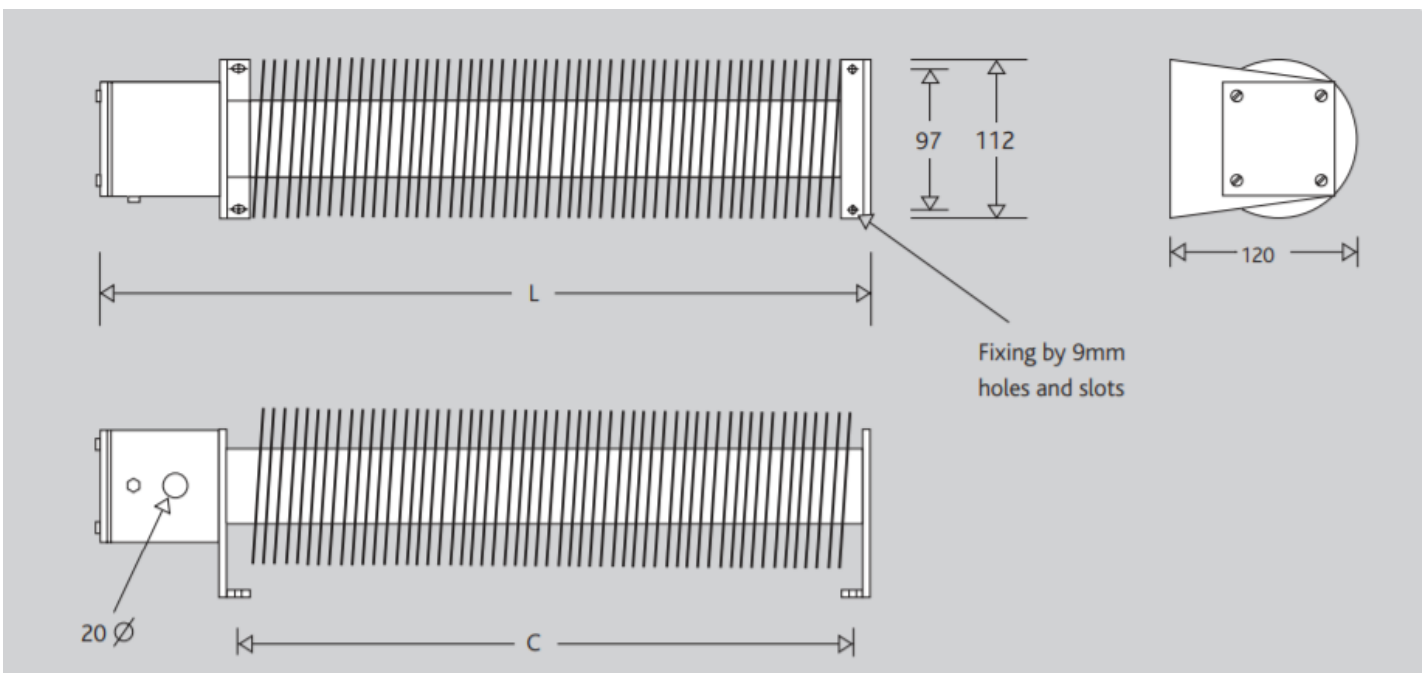
# Electric Finned Tube Radiator

## TECHNICAL SPECIFICATON

Product Code	kW	Volts	Length mm	Fix Cent mm	Height mm	Depth mm	Weight kg
<b>CFT-0300</b>	0.3	230	360	253	120	112	4.2
<b>CFT-0500</b>	0.5	230	585	478	120	112	7
<b>CFT-0750</b>	0.7	230	810	703	120	112	9.8
<b>CFT-1000</b>	1	230	1035	928	120	112	12.6
<b>CFT-1500</b>	1.5	230	1485	1378	120	112	18.3
<b>CFT-2000</b>	2	230	1935	1828	120	112	23.9
<b>CFT-0301</b>	0.3	110	360	253	120	112	4.2
<b>CFT-0501</b>	0.5	110	585	478	120	112	7
<b>CFT-0751</b>	0.7	110	810	703	120	112	9.8
<b>CFT-1001</b>	1	110	1035	928	120	112	12.6
<b>CFT-1501</b>	1.5	110	1485	1378	120	112	18.3
<b>CFT-2001</b>	2	110	1935	1828	120	112	23.9

## INSTALLATION

All electrical connections should be made by a suitably qualified person in accordance with the latest edition of the IEE Requirements for Electrical Installation (BS 7671:2008). For full installation documents please visit [our website](#).





Burnfoot Industrial Estate  
Roxburghshire,  
Scotland, TD9 8SL

[www.turnbull-scott.co.uk](http://www.turnbull-scott.co.uk)

01450 372 053