

Electric Over Door Heater



Turnbull & Scott™
Trusted.

ODH | Electric Over Door Heater



APPLICATIONS

Our over door heaters provide a warm welcome for those entering by warming the air around the entrance area to create a pleasant room environment. A powerful fan heater, the over door heater is designed for use above frequently opened doors, to limit the egress of heated air and the ingress of cold air.

Typical installations include shops, entrance halls, offices, and workshop/warehouse doors. The fully adjustable bracket also allows the use of the over door heater for general space heating applications where a high level heater is required.

FEATURES

- 3kW, 4.5kW, 6kW and 9kW units available
- Adjustable bracket for wall or ceiling mounting
- Alternative keyhole fixing for secure installation
- Integral switches for heat selection and fan only
- Optional remote switch unit (ODH-RSW)
- Pre-connected cable for ease of installation (ODH-3000 and ODH-4500 only)
- ODH-9000 for 230V or 400V
- White powder coated finish (RAL9003)
- Other colour options available on request (subject to quantities ordered)



ODH Electric Over Door Heater



ODH-RSW Remote Switch Unit

ODH | Electric Over Door Heater

CONTROL

TEMPERATURE Control is via rocker switches next to the outlet grille.

ODH-3000 Switch for fan only, 1kW, 2kW and 3kW.

ODH-3000R Switches for 1kW, 2kW and 3kW. The ODH-RSW remote switch can be connected to give on/off fan only and heat selection.

ODH-4500 Fan only control is achieved by switching of the main power supply switch. Switches for 2.25kW and 4.5kW.

ODH-4500R Switches for 2.25kW 4.5kW. The ODH-RSW remote switch can be connected to give on/off fan only and heat selection.

ODH-6000 Switches for fan only 3kW and 6kW. The ODH-RSW remote switch can be connected to give on/off fan only and heat selection.

ODH-9000 ODH-9000 Switches for fan only 4.5kW and 9kW. The ODH-RSW remote switch can be connected to give on/off fan only and heat selection.

The ODH-3000 and ODH-4500 can be controlled by remote thermostat and/or time controller of suitable rating connected in the main supply line. The ODH-6000 and ODH-9000 can be controlled by remote thermostat and/or time controller of suitable rating in the heat control circuit.

TECHNICAL SPECIFICATON

Product Code	Application Type	kW	Volts	Length mm	Length Between Fixings mm	Height mm	Depth mm	Weight kgs
ODH-3000	Integral switching	3	230	600	505	220	120	5
OHD-3000R	For remote switching	3	230	600	505	220	120	5
ODH-4000	Integral switching	4.5	230	600	505	220	120	5
ODH-4500R	For remote swtiching	4.5	230	600	505	220	120	5
ODH-6000	Integral & remote switching	6	230	850	800	220	120	12
ODH-9000	Integral & remote switching	9	230/400	1235	1185	220	120	15
ODH-RSW	Remote switch unit (hard wired) required for remote switching							

ODH | Electric Over Door Heater

INSTALLATION

For optimum effect the heater should be mounted as close as possible to the top of the doorway. The maximum recommended mounting height is 2.3m for 3kW and 2.8m for 4.5kW, 6kW and 9kW units. Multiple units mounted side by side can be used for wider doorways.

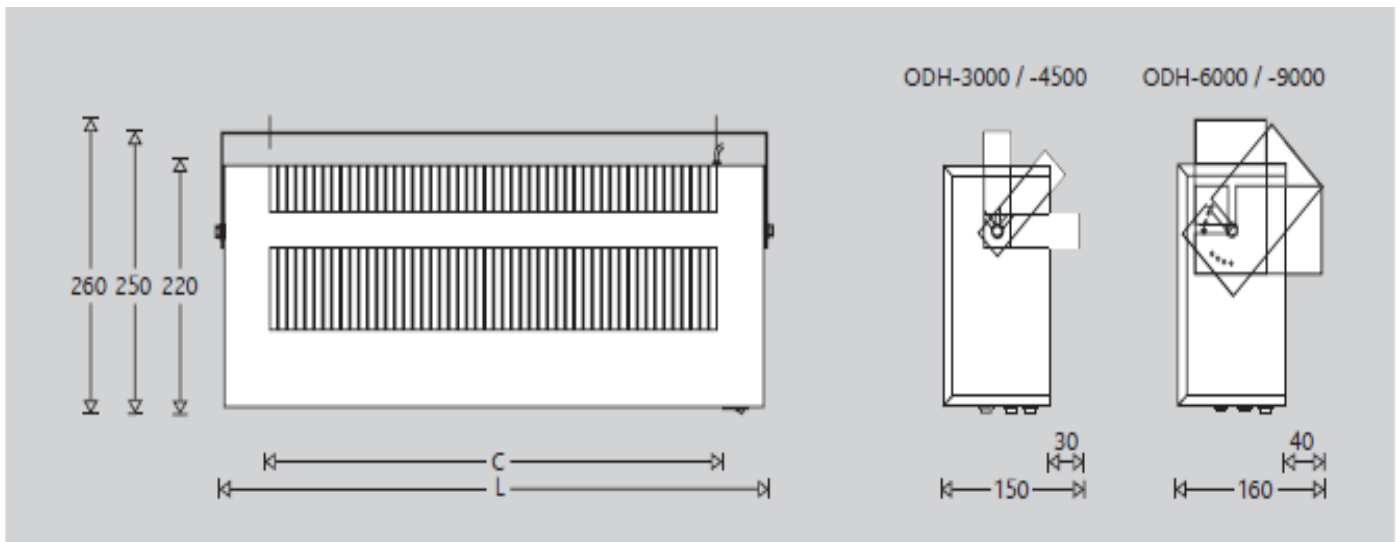
The unit should be securely fixed using the keyhole slots in the back of the unit or the adjustable mounting bracket. The mounting brackets allow easy wall or ceiling mounting.

To reduce the ingress of cold air from a constantly opening door the unit should be directed down. To contribute to the general space heating of the area the unit should be directed at an angle into the area.

ODH-3000 and ODH-4500 are supplied with a pre-connected cable for quick connection, the ODH-3000R, ODH-4500R, ODH-6000 and ODH-9000 are supplied with a cable grip gland or can be connected by conduit if preferred.

The 3kW should be connected to a suitably fused power supply. The 4.5kW, 6kW and 9kW must be connected directly to the power distribution board. Connection should be via a 2 pole switched connection unit having a contact separation of at least 3mm in all poles.

All electrical connections should be made by a suitably qualified person in accordance with the latest edition of the IEE Requirements for Electrical Installation (BS 7671:2008).





Burnfoot Industrial Estate
Roxburghshire,
Scotland, TD9 8SL

www.turnbull-scott.co.uk

01450 372 103