

# Electric Wall Heater



**Turnbull & Scott™**  
Trusted.

# Electric Wall Heater



## PRODUCT DESCRIPTION

The Electric Wall Heater is a heavy duty fan heater for commercial spaces with heat outputs ranging from 1.5kW-4.8kW depending on the model selected.

It makes an ideal choice of heater for high traffic areas such as entrance lobbies, stairways, corridors and waiting rooms.

All models are designed for recess mounting within a wall. An additional [surface mounting box](#) can be purchased if surface mounting is required.

All models are designed for 230V single phase supply and feature an integral tamper-proof thermostat and an efficient low speed 600 rpm motor with vane axial fan.

## FEATURES

- Space saving recess mounting model as standard
- Surface mounting box available as option
- High reliability heavy duty finned metal sheathed elements
- Efficient low speed, 600 rpm, motor with vane axial fan
- Auto reset over temperature cut-out
- Fan delay switch on thermostat on/off cycle
- Thermostat plus on/off switch
- Heavy duty steel louvred grille with extruded aluminium frame
- Dark brown powder coated finish with anodised natural aluminium frame

# Electric Wall Heater

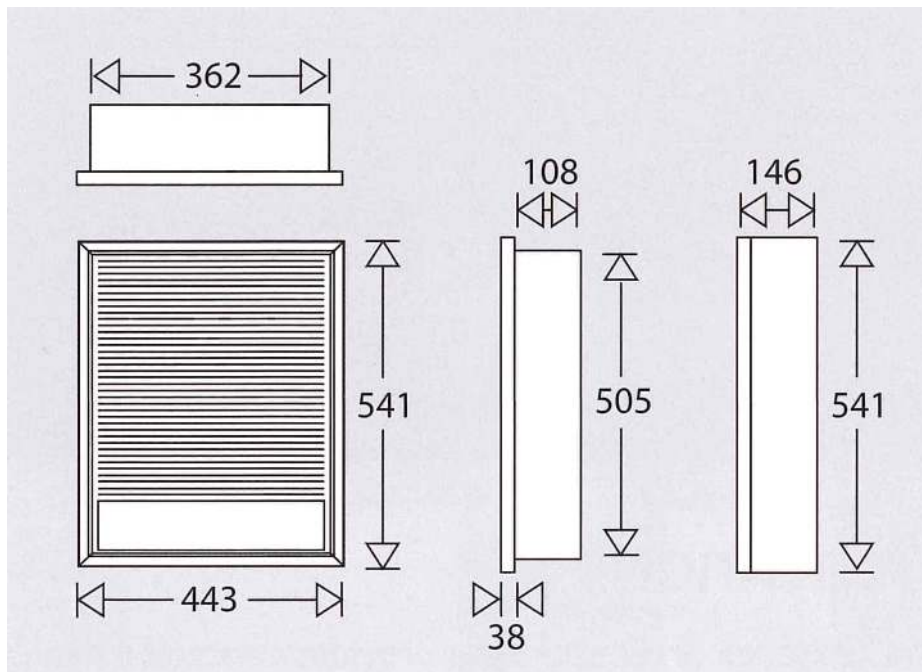
## TECHNICAL SPECIFICATON

Product Code	kW	Volts	Air Vol m <sup>3</sup> /hr	Length mm	Width mm	Depth mm	Weight kg
<b>CQAC-1500</b>	1.5	230	300	530	404	135	10
<b>CQAC-2000</b>	2	230	300	530	404	135	10
<b>CQAC-3000</b>	3	230	300	530	404	135	10
<b>CQAC-4000</b>	4	230	300	530	404	135	10
<b>CQAC-4800</b>	4.8	230	300	530	404	135	10

## INSTALLATION

The electric wall heater is recommended for vertical mounting. It should not be mounted closer than 200mm to any vertical surface, ceiling or floor. Each unit is supplied for recess mounting. Surface mounting requires the optional surface box (CQAC-S).

The unit should be securely fixed and electrical connections made by a suitably qualified person in accordance with the latest edition of the IEE Requirements for Electrical Installation (BS7671:2008).





Burnfoot Industrial Estate  
Roxburghshire,  
Scotland, TD9 8SL

[www.turnbull-scott.co.uk](http://www.turnbull-scott.co.uk)

01450 372 053