

Recessed Electric Fan Heater



Turnbull & Scott™
Trusted.

Recessed Electric Wall Heater



PRODUCT DESCRIPTION

Fan forced wall insert heaters are compact fan heaters for those hard to heat places such as entrances, receptions, small corridors, security cabins, cashier desks, service counters.

Versatile & compact with heat outputs of 1kW, 1.5kW & 2kW depending on the model selected.

Designed for horizontal or vertical recess mounting. Where recess space is limited or wall mounting is preferred, an optional [surface mounting box](#) is available. An additional thermostats and controls are also available.

110v models are also available and are a great solution for works sites and mobile applications.

FEATURES

- 1kW, 1.5kW & 2kW models for 230V supply
- 1kW & 1.5kW models for 120V supply for site and mobile applications
- Suitable for space saving recess mounting
- Option for surface mounting with addition of mounting box
- Three position mounting, giving three airflow options
- Finned tubular steel element
- Auto reset over temperature cut-out
- Beige powder coated finish
- Optional integral thermostat



Recessed Electric Wall Heater

TECHNICAL SPECIFICATON

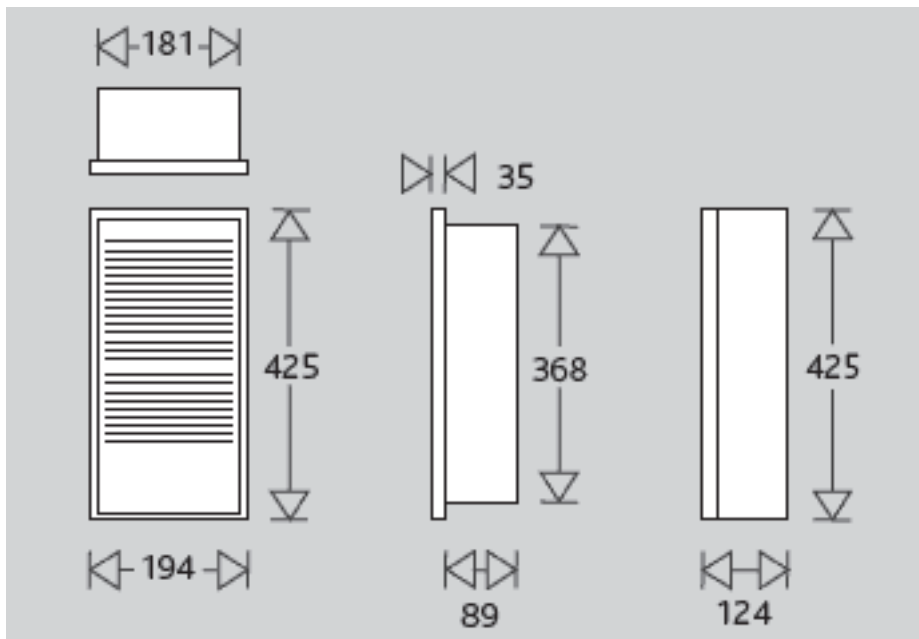
Product Code	kW	Volts	Length mm	Width mm	Depth mm	Weight kg
CWD-1000	1	230	425	194	124	5
CWD-1001	1	110	425	194	124	5
CWD-1500	1.5	230	425	194	124	5
CWD-1501	1.5	110	425	194	124	5
CWD-2000	2	230	425	194	124	5

INSTALLATION

The fan heaters are for horizontal or vertical mounting with top discharge. Clearances to vertical surfaces or floor must be 150mm.

Each unit is supplied for recess mounting. Surface mounting requires the optional surface box (CWD-S).

The fan heater should be securely fixed. All electrical connections made by a suitably qualified person in accordance with the latest edition of the IEE Requirements for Electrical Installation (BS7671:2008).





Burnfoot Industrial Estate
Roxburghshire,
Scotland, TD9 8SL

www.turnbull-scott.co.uk

01450 372 053