

Installation Instructions

CCB Kickspace Heater

Remove from carton and check contents:-

- grille and fixing screws (2)
- heater assembly
- thermostat knob (if specified)

CAUTION

DO NOT mount heater where obstruction of the heater airflow might occur.

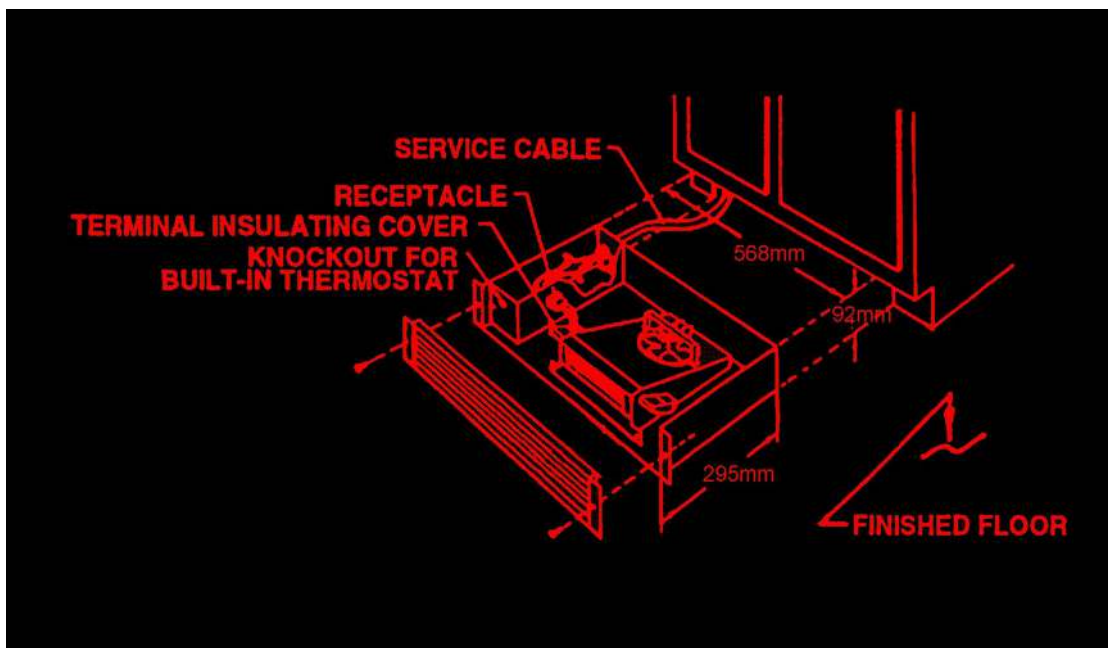
HEATER LOCATION

The heater is for mounting into a deep recess on a vertical surface such as below kitchen units or shop fittings. Do NOT install under heavily used work area where air discharge temperature may be uncomfortable. Floor material should be checked before heater installation to be sure it will not discolour or distort at temperatures around 60 deg.C

The unit can also be used in a vertical position but only with upward discharge.

INSTALLATION


- 1) Create cut-out 568mm x 92mm in wall ensuring at least a depth of 295mm from the front face and adequate fixing/support locations are available. The unit must not be below the finished floor level.
- 2) Remove grille and screws holding heater cover, remove cover. Remove appropriate knock out. Pull through sufficient cable to make connections.
- 3) Make connections to terminal block and earth screw. The unit is supplied for 240Vac operation.
- 4) Replace cover and screws.
- 5) Push heater into opening, replace grille and attach unit to surface with two screws provided.



ELECTRICAL CONNECTIONS.

The Heater should be installed in accordance with the latest edition of the IEE Requirements for Electrical Installation (BS EN 7671:2018) by a suitably qualified person. The unit should be connected to a suitable 230Vac 50Hz.power supply incorporating a means of isolation having a contact separation of at least 3mm in all poles.

Connect as follows:-

- Green-yellow wire to terminal marked E , with earth symbol 
- Blue wire to terminal marked N
- Brown wire to terminal marked L

WARNING: THE HEATER MUST BE EARTHED.
