

# High Level Electric Heater



**Turnbull & Scott™**  
Trusted.

# High Level Electric Heater



## PRODUCT DESCRIPTION

Designed for general space heating applications, where a high level mounted heater is required. Typical applications include shops, workshops and warehouses.

The fully adjustable bracket allows for the adjustment of the direction of airflow for optimum heat distribution.

Model HLH 3000TB has an integral thermostat, which gives energy-saving temperature control at a low installation cost.

## FEATURES

- 3kW output, 230V input
- Adjustable bracket for wall or ceiling mounting
- Alternative keyhole fixing for secure installation
- Integral switches for heat selection and fan only
- Pre-connected cable for ease of installation
- Over temperature cut-out with power off reset
- Standard light grey textured powder coating finish (RAL7035)



HLH 3000



HLH 3000TB with integral thermostat

# High Level Electric Heater

## TECHNICAL SPECIFICATION

Product Code	kW	Volts	Length mm	Depth mm	Width mm	Weight kg
HLH-3000	3	230	450	110	170	4
HLH-3000TB	3	230	450	110	210	4

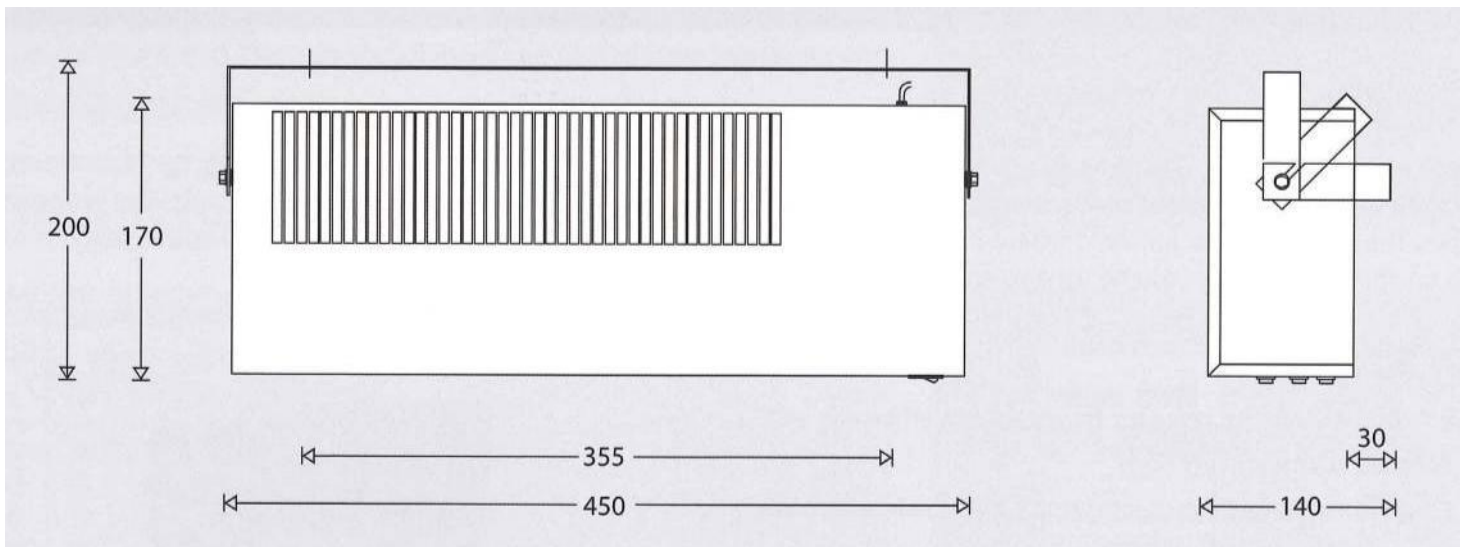
## INSTALLATION

The HLH-3000 is for high level mounting and must be mounted at a minimum height of 1.8m and, for optimum effect, the maximum recommended mounting height is 2.3m. The heater must be mounted horizontally. For general space heating the unit can be directed at an angle.

The unit should be securely fixed using the adjustable mounting bracket. The mounting bracket allows easy wall or ceiling mounting. Alternatively the unit can be wall mounted using the keyhole slots in the back of the unit.

The HLH-3000 is only suitable for connection to a 230V single phase power supply and is supplied with a pre-connected cable for quick connection.

The HLH-3000 heater should be connected to a suitably fused power supply. Connection should be via a 2 pole switched connection unit having a contact separation of at least 3mm in all poles. All electrical connections should be made by a suitably qualified person in accordance with the latest edition of the IEE Requirements for Electrical Installation (BS 7671:2008).





Burnfoot Industrial Estate  
Roxburghshire,  
Scotland, TD9 8SL

[www.turnbull-scott.co.uk](http://www.turnbull-scott.co.uk)

01450 372 053