

Installation Instructions

ODH-3000 Over Door Heater

Reference
J008g

SAFETY

The correct procedures for working at height must be adopted when installing this heater.

The heater must be installed by a suitably qualified person in accordance with current regulations.

CONTENTS.

Remove from carton and check contents:

- heater unit
- mounting bracket
- 2 no. M6 bolts, 2 no. shakeproof washers, 4 no. plain washers.

Ensure all packing material is removed and inlet/outlet grilles are clear.

LOCATION.

This heater is designed for high level use above frequently used doorways. It must not be installed less than 1.8metres from floor level and the maximum recommended mounting height is 2.3m. It should not be positioned immediately below a fixed socket outlet. Optimum performance is achieved when the heater is positioned as close to the top of the door as possible. For wider doorways multiple units can be installed giving a continuous curtain of hot air.

FIXING.

The heater can be mounted either a) directly to the wall or b) to the wall or ceiling using the bracket supplied.

a) The unit is mounted directly to the wall via two keyhole slots and fixed via two holes.

- 1) Securely fix two No.10 screws (not supplied) at 500mm centres 208mm above desired position for outlet grille.
- 2) Slide unit over screws and ensure secure fixing.
- 3) For extra security the front cover can be removed and the two additional mounting holes used

(DISCONNECT FROM POWER SUPPLY BEFORE REMOVING COVER)


b) The bracket can be fixed to either the wall or ceiling provided secure fixings can be made

- 1) Remove plugs from holes in end of unit, loosely fit M6 bolts with 2 plain washers and shakeproof washer closest to head.
- 2) Provisionally place in bracket to ascertain optimum location and mark fixing holes.
- 3) Remove from heater and securely fix bracket
- 4) Replace heater at appropriate angle and tighten bolts securely.

ELECTRICAL CONNECTIONS.

The Heater should be installed in accordance with the latest edition of the IEE Requirements for Electrical Installation (BS 7671) by a suitably qualified person.
The unit is NOT suitable for connection via a 13A plug and should be permanently connected to a suitable 230Vac 50Hz. power supply incorporating a means of isolation having a contact separation of at least 3mm in all poles.

Connect as follows:-

Green-yellow wire to terminal marked E, with earth symbol  or coloured green or green-yellow.

Blue wire to terminal marked N. Brown wire to terminal marked L

WARNING: THE HEATER MUST BE EARTHED.

OVER TEMPERATURE CUT OUT

Should the heater exceed normal operating temperature the over temperature cut out on the heating element will operate.

Installation Instructions

ODH-3000R Over Door Heater

Reference
J354c

SAFETY

The correct procedures for working at height must be adopted when installing this heater.
The heater must be installed by a suitably qualified person in accordance with current regulations.

CONTENTS.

Remove from carton and check contents:

- heater unit
- mounting bracket
- 2 no. M6 bolts, 2 no. shakeproof washers, 4 no. plain washers.

Ensure all packing material is removed and inlet/outlet grilles are clear.

LOCATION.

This heater is designed for high level use above frequently used doorways. It must not be installed less than 1.8metres from floor level and the maximum recommended mounting height is 2.3m. It should not be positioned immediately below a fixed socket outlet. Optimum performance is achieved when the heater is positioned as close to the top of the door as possible. For wider doorways multiple units can be installed giving a continuous curtain of hot air.

FIXING.

The heater can be mounted either a) directly to the wall or b) to the wall or ceiling using the bracket supplied.

a) The unit is mounted directly to the wall via two keyhole slots and fixed via two holes.

- 1) Securely fix two No.10 screws (not supplied) at 500mm centres 208mm above desired position for outlet grille.
- 2) Slide unit over screws and ensure secure fixing.
- 3) For extra security the front cover can be removed and the two additional mounting holes used

(DISCONNECT FROM POWER SUPPLY BEFORE REMOVING COVER)

b) The bracket can be fixed to either the wall or ceiling provided secure fixings can be made

- 1) Loosely fit M6 bolts with 2 plain washers and shakeproof washer closest to head.
- 2) Provisionally place in bracket to ascertain optimum location and mark fixing holes.
- 3) Remove from heater and securely fix bracket
- 4) Replace heater at appropriate angle and tighten bolts securely.

CONTROL

Remote Switch

The Remote Switching Unit (ODH-RSW) allows ON/OFF, Fan only with 1,2 or 3 kW.

Thermostat (CRST16)

If a thermostat is required a unit of sufficient current carrying capacity (16A) can be connected in the power supply to the Remote switch thus switching the heater off when set temperature is reached.

Alternatively it can be connected to control the heating elements only, the fan will run continuously maintaining air circulation. Remove the fan switch to heat switch links and link the supply side of the heat switches together then connect the thermostat between the fan switch and the heat switches.

ELECTRICAL CONNECTION

The heater should be installed in accordance with the latest edition of the IEE Requirements for Electrical Installation (BS 7671) by a suitably qualified person.

Position remote switch unit in suitable location. A means of disconnection having a contact separation of 3mm in all poles should be incorporated.

Remove heater cover plate (4 screws)

Select cabling with 4 cores and earth of appropriate size for current and volt drop.

Pass cable/s through cord grip in top of unit. Leave sufficient length for connection but ensuring cables do not foul blower unit. Make off connections to connector block and earth stud in accordance with circuit diagram ODH-W-005 (copy on back page)

If remote switching is not required connect power supply to L and N and link L,LI and LII with 1.5sqmm cable. Tighten up cord grip. Replace connection cover.

IMPORTANT: always check to ensure the heating elements cannot be energised without the fan running.

WARNING: THE HEATER MUST BE EARTHED.

OVER TEMPERATURE CUT OUT

Should the heater exceed normal operating temperature the over temperature cut out on the heating element will operate.

To RESET - switch off power to the unit and allow to cool before switching on again. If the problem persists consult a suitably qualified person.

Note:- **Do not cover the unit** or allow the inlet grille to be obstructed as this could cause over heating and possible damage.

CONTROLS.

On/off control is by remote switch.

Heat Control is by the switches located next to the outlet grille.

Switch positions are:-

- Top red: - Fan and 1kW heat.
- Bottom red: - Fan and 2kW heat.
- Both red: - Fan and 3kW heat

Note: the switches are electrically interlocked to ensure the heat cannot be on without the fan operating. They operate in parallel with the remote switch.

CLEANING

The heater should be cleaned occasionally to reduce the build up of dust which may cause the unit to overheat.

WARRANTY

This product is guaranteed, in accordance with our Conditions of Sale, for a period of 12 months from date of purchase. We will repair or replace, at our discretion, any part found to be defective. We cannot accept responsibility for any consequential liability.

The warranty will be invalid if the heater has not been installed in accordance with these instructions.

This does not affect your statutory rights.

Schematic diagram

The heating element incorporates over-temperature cut out

To reset:-
Switch off and allow to cool (5 minutes) then restore supply

Heater does not function again until power has been removed from cut out

All wiring 1.5mm² 105°C Tri rated Panel wire

Turnbull & Scott
Trusted

No	Part No	Description
1	B081-01	Heating element
2	C002	Blower/Fan motor
3	F003	Connector block
4	E077	SPST 16A sw red

No	Revision	Date
1	Change terminal block	05/03
2	Add external cut out	11/04
3	Motor Change	03/22
4	Remote Switch Wiring Changed	11/25

Title ODH-3000R 3.0kW
Over Door Heater
c/w remote switch

Drawn by: NEB Date: 04/11/2025

Scale: Drawing No. ODH-W-005 Rev 4

Please keep these instructions for future reference

The Manufacturers reserve the right to change the specification without prior notice EO&E

Installation Instructions

ODH-4500 Over Door Heater

Reference
J128e

SAFETY

The correct procedures for working at height must be adopted when installing this heater.

The heater must be installed by a suitably qualified person in accordance with current regulations.

CONTENTS.

Remove from carton and check contents:

- heater unit
- mounting bracket
- 2 no. M6 bolts, 2 no. shakeproof washers, 4 no. large plain washers.

Ensure all packing material is removed and inlet/outlet grilles are clear.

LOCATION.

This heater is designed for high level use above frequently used doorways. It must not be installed less than 1.8metres from floor level and the maximum recommended mounting height is 2.8m. It should not be positioned immediately below a fixed socket outlet. Optimum performance is achieved when the heater is positioned as close to the top of the door as possible. For wider doorways multiple units can be installed giving a continuous curtain of hot air.

FIXING.

The heater can be mounted either a) directly to the wall or b) to the wall or ceiling using the bracket supplied.

a) The unit is mounted directly to the wall via two keyhole slots and fixed via two holes.

- 1) Securely fix two No.10 screws (not supplied) at 500mm centres 208mm above desired position for outlet grille.
- 2) Slide unit over screws and ensure secure fixing.
- 3) For extra security the front cover can be removed and the two additional mounting holes used

(DISCONNECT FROM POWER SUPPLY BEFORE REMOVING COVER)

b) The bracket can be fixed to either the wall or ceiling provided secure fixings can be made


- 1) Remove plugs from holes in end of unit, loosely fit M6 bolts with 2 plain washers and shakeproof washer closest to head.
- 2) Provisionally place in bracket to ascertain optimum location and mark fixing holes.
- 3) Remove from heater and securely fix bracket
- 4) Replace heater at appropriate angle and tighten bolts securely.

ELECTRICAL CONNECTIONS.

The Heater should be installed in accordance with the latest edition of the IEE Regulations for Electrical Installations (BS 7671) by a suitably qualified person.

The unit is NOT suitable for connection via a 13A plug and should be permanently connected to a suitable 230Vac 50Hz. power supply incorporating a means of isolation having a contact separation of at least 3mm in all poles.

Connect as follows:-

Green-yellow wire to terminal marked E , with earth symbol  or coloured green or green-yellow.

Blue wire to terminal marked N Brown wire to terminal marked L

WARNING: THE HEATER MUST BE EARTHED.

Installation Instructions

ODH-4500R Over Door Heater

Reference
J356d

SAFETY

The correct procedures for working at height must be adopted when installing this heater.
The heater must be installed by a suitably qualified person in accordance with current regulations.

CONTENTS

Remove from carton and check contents:

- heater unit
 - mounting bracket
 - 2 no. M6 bolts, 2 no. shake proof washers, 4 no. plain washers.
- Ensure all packing material is removed and inlet/outlet grilles are clear.

LOCATION

This heater is designed for high level use above frequently used doorways. It must not be installed less than 1.8metres from floor level and the maximum recommended mounting height is 2.8m. It should not be positioned immediately below a fixed socket outlet. Optimum performance is achieved when the heater is positioned as close to the top of the door as possible. For wider doorways multiple units can be installed giving a continuous curtain of hot air.

FIXING

The heater can be mounted either a) directly to the wall or b) to the wall or ceiling using the bracket supplied.

- a) The unit is mounted directly to the wall via two keyhole slots and fixed via two holes.
- 1) Securely fix two No.10 screws (not supplied) at 500mm centres 208mm above desired position for outlet grille.
 - 2) Slide unit over screws and ensure secure fixing.
 - 3) For extra security the front cover can be removed and the two additional mounting holes used

(DISCONNECT FROM POWER SUPPLY BEFORE REMOVING COVER)

- b) The bracket can be fixed to either the wall or ceiling provided secure fixings can be made
- 1) Loosely fit M6 bolts with 2 plain washers and shake proof washer closest to head.
 - 2) Provisionally place in bracket to ascertain optimum location and mark fixing holes.
 - 3) Remove from heater and securely fix bracket
 - 4) Replace heater at appropriate angle and tighten bolts securely.

CONTROL

Remote Switch

The Remote Switching Unit (ODH-RSW) allows ON/OFF, Fan only with 2.25 or 4.5 kW.

Thermostat

If a thermostat is required a unit of sufficient switching capacity(25A) can be connected in the power

ELECTRICAL CONNECTION

The heater should be installed in accordance with the latest edition of the IEE Requirements for Electrical Installation (BS 7671) by a suitably qualified person.

Position remote switch unit in suitable location. A means of disconnection having a contact separation of 3mm in all poles should be incorporated.

Remove heater cover plate (4 screws)

Select cabling with 4 cores and earth of appropriate size for current and volt drop.

Pass cable/s through cord grip in top of unit. Leave sufficient length for connection but ensuring cables do not foul blower unit. Make off connections to connector block and earth stud in accordance with circuit diagram ODH-W-006 (copy on back page)

If remote switching is not required connect power supply to L and N and link L,LI and LII with 1.5sqmm cable.

Tighten up cord grip. Replace connection cover.

IMPORTANT : always check to ensure the heating elements cannot be energised without the fan running.

WARNING: THE HEATER MUST BE EARTHED.

OVER TEMPERATURE CUT OUT

Should the heater exceed normal operating temperature the over temperature cut out on the heating element will operate.

To RESET - switch off power to the unit and allow to cool before switching on again. If the problem persists consult a suitably qualified person.

Note:- **Do not cover the unit** or allow the inlet grille to be obstructed as this could cause over heating and possible damage.

CONTROLS.

On/off control is by remote switch. Heat control is by the 2 switches located next to the outlet grille.

One on - half heat (2.25 kW)

Two on - full heat (4.5 kW)

Both off - fan only

Note: the switches are electrically interlocked to ensure the heat cannot be on without the fan operating. They operate in parallel with the remote switch.

CLEANING.

The heater should be cleaned occasionally to reduce the build up of dust which may cause the unit to overheat

WARRANTY

This product is guaranteed, in accordance with our Conditions of Sale, for a period of 12 months from date of purchase. We will repair or replace, at our discretion, any part found to be defective. We cannot accept responsibility for any consequential liability.

The warranty will be invalid if the heater has not been installed in accordance with these instructions.

This does not affect your statutory rights.

Remote Switch ODH-RSW (Optional)
Note:- operates in parallel with integral switches

Heating Element ①

Fan Motor ②

Heater Rocker Switches ④

Connector Block ③

Schematic diagram

Each heating element incorporates over-temperature cut out in common terminals

To reset:-
Switch off and allow to cool (5 minutes) then restore supply

Heater does not function again until power has been removed from cut out

All wiring 1.5mm² 105°C Tri rated Panel wire unless marked 2. 5mm²

Turnbull & Scott
Trusted

No	Part No	Description
1	B033-01	Heating element
2	C002	Blower/Motor
3	F036-1	Connector block
4	E077	SPST 16A sw red

No	Revision	Date
1	Add external cut outs	11/04
2	Change motor connection	02/09
3	Blower/Motor change	03/22
4	Connector Block changed	10/25
5	Remote Switch Wiring Changed	11/25

Title **ODH-4500R 4.5kW Over Door Heater c/w remote switch**

Drawn by **NEB** Date **04/11/2025**

Scale **nts** Drawing No. **ODH-W-006** Rev **5**

L011

Please keep these instructions for future reference

The Manufacturers reserve the right to change the specification without prior notice EO&E

Installation Instructions

ODH-6000 Over Door Heater

Reference
J184h

SAFETY

The correct procedures for working at height must be adopted when installing this heater.

The heater must be installed by a suitably qualified person in accordance with current regulations.

CONTENTS.

Remove from carton and check contents:

- heater unit
- 2 no. mounting brackets
- 2 no. M6 bolts, 2 no. shakeproof washers, 4 no. large plain washers
- 2 no. M4 set screws, 2 no. shakeproof washers.
- 1 no. Cord grip gland and locknut

Ensure all packing material is removed and inlet/outlet grilles are clear.

LOCATION.

This heater is designed for high level use above frequently used doorways. It must not be installed less than 1.8metres from floor level and the maximum recommended mounting height is 2.8m. It should not be positioned immediately below a fixed socket outlet. Optimum performance is achieved when the heater is positioned as close to the top of the door as possible. For wider doorways multiple units can be installed giving a continuous curtain of hot air.

FIXING.

The heater can be mounted either a) directly to the wall or b) to the wall or ceiling using the brackets supplied.

- a) The unit is mounted directly to the wall via three keyhole slots and fixed via three holes.
- 1) Securely fix two No.10 screws (not supplied) at 750mm centres and a third centrally, 208mm above desired position for outlet grille.
 - 2) Slide unit over screws and ensure secure fixing.
 - 3) For extra security the front cover can be removed and the additional mounting holes used.

(DISCONNECT FROM POWER SUPPLY BEFORE REMOVING COVER)

- b) The bracket can be fixed to either the wall or ceiling provided secure fixings can be made
- 1) Remove plugs from holes in end of unit, loosely fit M6 bolts with 2 plain washers and shakeproof washer closest to head.
 - 2) Provisionally place in brackets to ascertain optimum location and mark fixing holes (2 no. 40mm apart 800mm between centres)
 - 3) Remove from heater and securely fix brackets
 - 4) Replace heater at appropriate angle by aligning with holes in bracket. Tighten set screws and bolts securely.

ELECTRICAL CONNECTIONS.

Connections are made in accordance with the circuit diagram by cable via the cord grip gland or by conduit entry if preferred. If necessary the adjacent hole plug is removed for connection of the remote switch.(ODH-RSW)

The Heater should be installed in accordance with the latest edition of the IEE Regulations for Electrical Installations (BS 7671) by a suitably qualified person.

The unit should be permanently connected to a suitable 230Vac 50Hz. power supply incorporating a means of isolation having a contact separation of at least 3mm in all poles.

Note: Ensure link between L and Lt is secure otherwise heater will not operate

WARNING: THE HEATER MUST BE EARTHED.

OVER TEMPERATURE CUT OUT

Should the heater exceed normal operating temperature the over temperature cut out on the heating element will operate.

To RESET - switch off power to the unit and allow to cool before switching on again. If the problem persists consult a suitably qualified person.

Note:- **Do not cover the unit** or allow the inlet grille to be obstructed as this could cause over heating and possible damage.

CONTROLS.

Heat control is by the 3 switches located next to the outlet grille.

On / off - fan only

One on - half heat (3.0 kW)

Two on - full heat (6.0kW)

Note: the switches are electrically interlocked to ensure the heat cannot be on without the fan operating.

CLEANING.

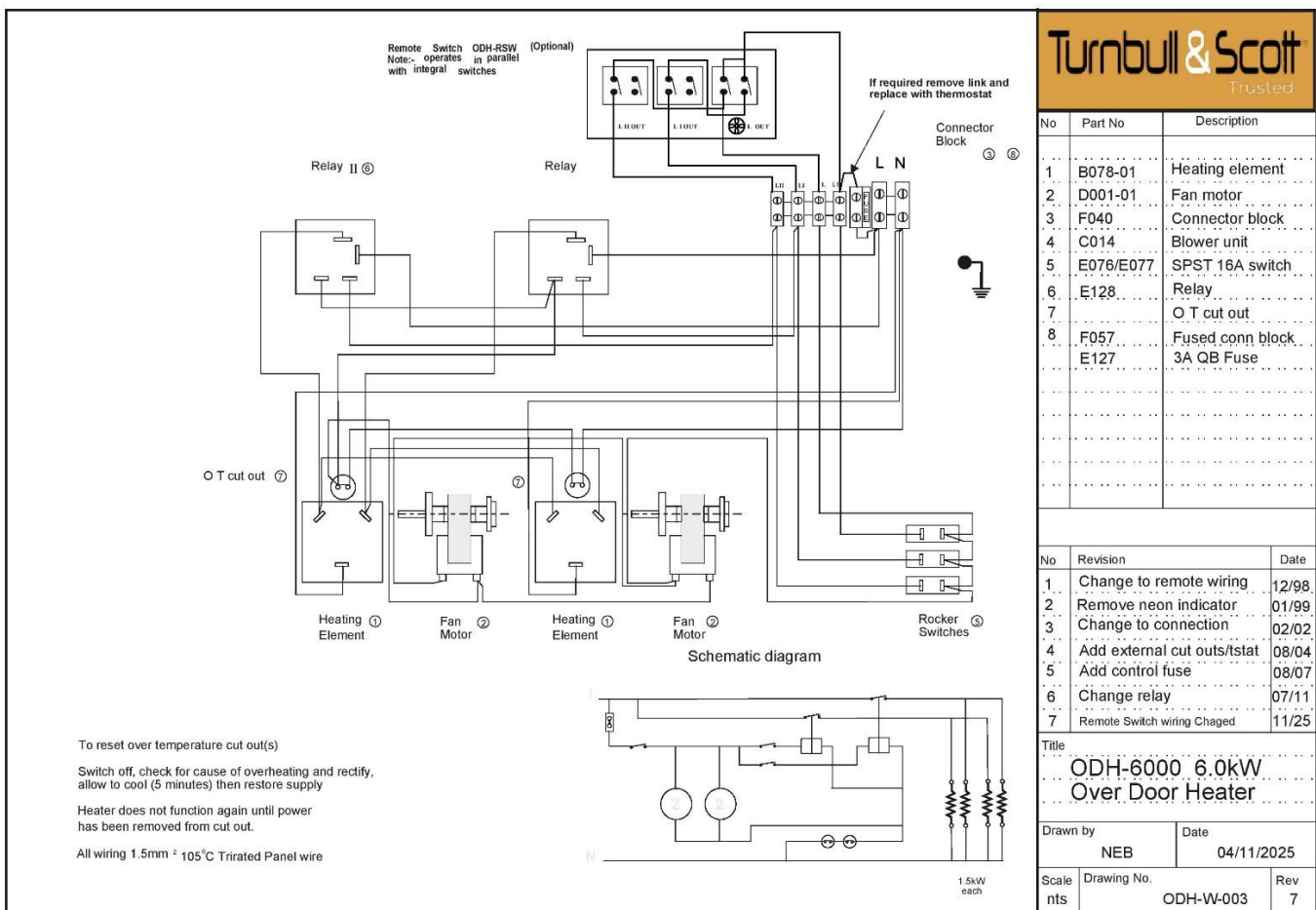
The heater should be cleaned occasionally to reduce the build up of dust which may cause the unit to overheat

WARRANTY

This product is guaranteed, in accordance with our Conditions of Sale, for a period of 12 months from date of purchase. We will repair or replace, at our discretion, any part found to be defective. We cannot accept responsibility for any consequential liability.

The warranty will be invalid if the heater has not been installed in accordance with these instructions.

This does not affect your statutory rights.



Please keep these instructions for future reference

The Manufacturers reserve the right to change the specification without prior notice EO&E

Installation Instructions

ODH-9000 Over Door Heater

Reference
J187g

SAFETY

The correct procedures for working at height must be adopted when installing this heater.

The heater must be installed by a suitably qualified person in accordance with current regulations.

CONTENTS.

Remove from carton and check contents:

- heater unit
- 2 no. mounting brackets
- 2 no. M6 bolts, 2 no. spring washers, 4 no. plain washers
- 2 no. M4 set screws, 2 no. shakeproof washers.
- 1 no. cord grip gland and lock nut

Ensure all packing material is removed and inlet/outlet grilles are clear.

LOCATION.

This heater is designed for high level use above frequently used doorways. It must not be installed less than 1.8metres from floor level and the maximum recommended mounting height is 2.8m. It should not be positioned immediately below a fixed socket outlet. Optimum performance is achieved when the heater is positioned as close to the top of the door as possible. For wider doorways multiple units can be installed giving a continuous curtain of hot air.

FIXING.

The heater can be mounted either a) directly to the wall or b) to the wall or ceiling using the brackets supplied.

- a) The unit is mounted directly to the wall via five keyhole slots and fixed via four holes.
- 1) Securely fix five No.10 screws (not supplied) at 285mm centres 208mm above desired position for outlet grille.
 - 2) Slide unit over screws and ensure secure fixing.
 - 3) Remove the front cover and securely fix via the four lower mounting holes.

(DISCONNECT FROM POWER SUPPLY BEFORE REMOVING COVER)

- b) The bracket can be fixed to either the wall or ceiling provided secure fixings can be made
- 1) Remove plugs from holes in end of unit, loosely fit M6 bolts with plain washer and shakeproof washer closest to head and plain washer between heater and bracket.
 - 2) Provisionally place in brackets to ascertain optimum location and mark fixing holes (2 no. 40mm apart 1190mm between centres)
 - 3) Remove from heater and securely fix brackets
 - 4) Replace heater at appropriate angle by aligning with holes in bracket. Tighten set screws and bolts securely.

ELECTRICAL CONNECTIONS.

Connections are made in accordance with the circuit diagram by cable via the cord grip gland or by conduit entry if preferred. If necessary the adjacent hole plug is removed for connection of the remote switch.(ODH-RSW)

The Heater should be installed in accordance with the latest edition of the IEE Regulations for Electrical Installations (BS 7671) by a suitably qualified person.

The unit should be permanently connected to a suitable 230Vac single phase or 400Vac three Phase and neutral 50Hz. power supply incorporating a means of isolation. For single phase connection connect L1,L2 and L3 together with 2.5mm² cable and connect supply to L2 and N

Note: Ensure link between Fuse and Lt is secure otherwise heater will not operate

WARNING: THE HEATER MUST BE EARTHED.

OVER TEMPERATURE CUT OUT

Should the heater exceed normal operating temperature the over temperature cut out on the heating element will operate.

To RESET - switch off power to the unit and allow to cool before switching on again. If the problem persists consult a suitably qualified person.

Note:- **Do not cover the unit** or allow the inlet grille to be obstructed as this could cause over heating and possible damage.

CONTROLS.

Heat control is by the 3 switches located next to the outlet grille.

On / Off - fan only

One on - half heat (4.5 kW)

Two on - full heat (9.0kW)

Note: the switches are electrically interlocked to ensure the heat cannot be on without the fan operating.

CLEANING.

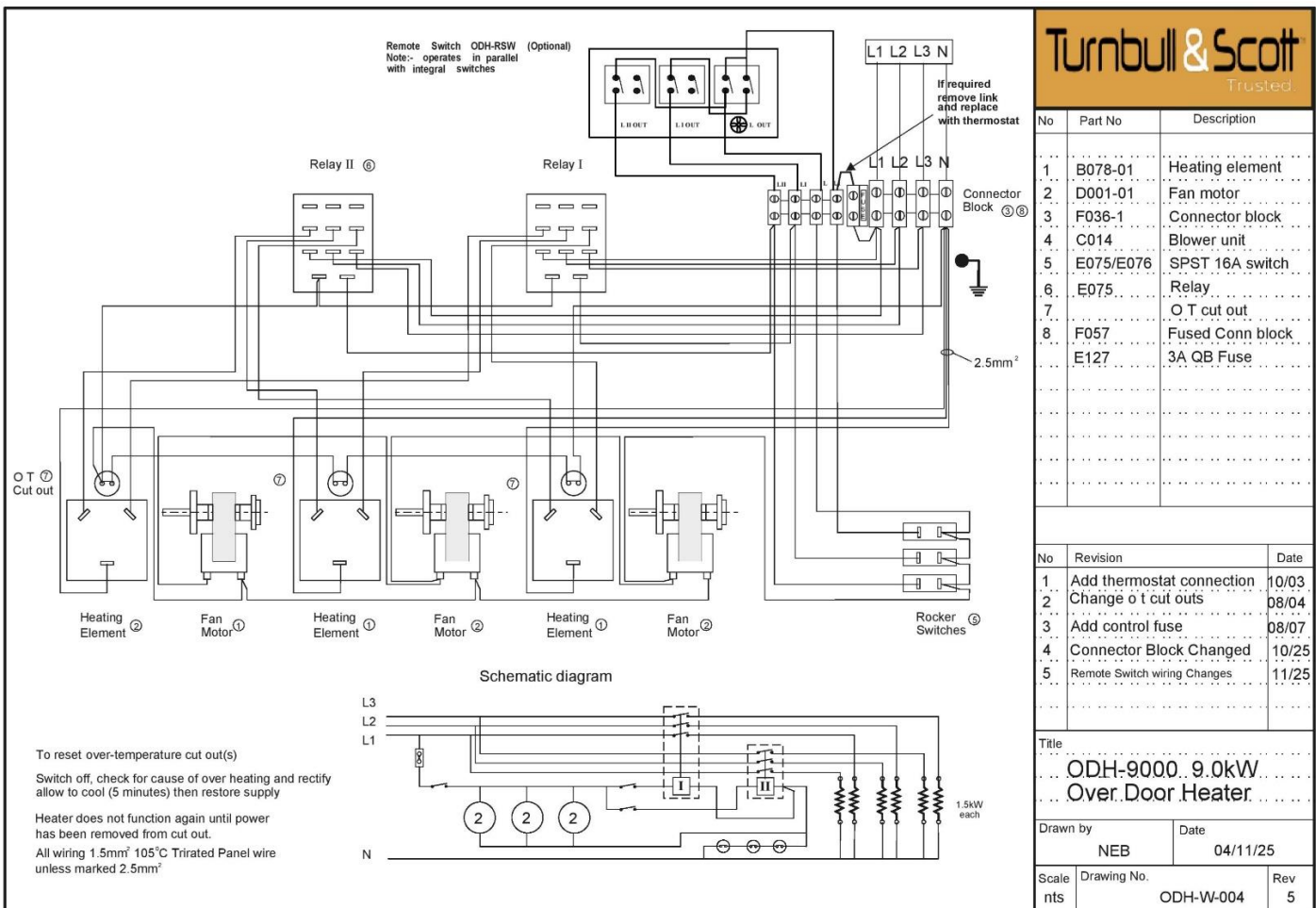
The heater should be cleaned occasionally to reduce the build up of dust which may cause the unit to overheat

WARRANTY

This product is guaranteed, in accordance with our Conditions of Sale, for a period of 12 months from date of purchase. We will repair or replace, at our discretion, any part found to be defective. We cannot accept responsibility for any consequential liability.

The warranty will be invalid if the heater has not been installed in accordance with these instructions.

This does not affect your statutory rights.



L011

Please keep these instructions for future reference.

The Manufacturers reserve the right to change the specification without prior notice EO&E

Installation Instructions

ODH-RSW Remote Switch Unit

Suitable for use with ODH-3000R, ODH-4500R, ODH-6000, ODH-9000, RDH-3000, RDH-4500, RDH-6000, RDH-9000 and RCHS/B-4200

HEATER

Refer to Heater Installation Instructions for mounting of heater.
(ODH-3000R - J354, ODH-4500R - J356, ODH-6000 - J184, ODH-9000 - J187, RDH-3000 - J287, RDH-4500 - J288, RDH-6000 - J289, RDH-9000 - J290, RCHB-4200 - J241 and RCHS-4200 - J126)

If necessary to accommodate all cabling remove plastic hole plug and replace with suitable gland.

Make connections to remote switch using appropriate cable as per circuit diagram - see over.

The Heater should be installed in accordance with the latest edition of the IEE regulations for Electrical Installations (BS 7671) by a suitably qualified person.

SWITCH UNIT

Remove front cover and grid plate by removing screws.

Securely fix mounting box in appropriate position ensuring suitable access for cabling.

Connect switches to heater as per circuit diagram - see over.

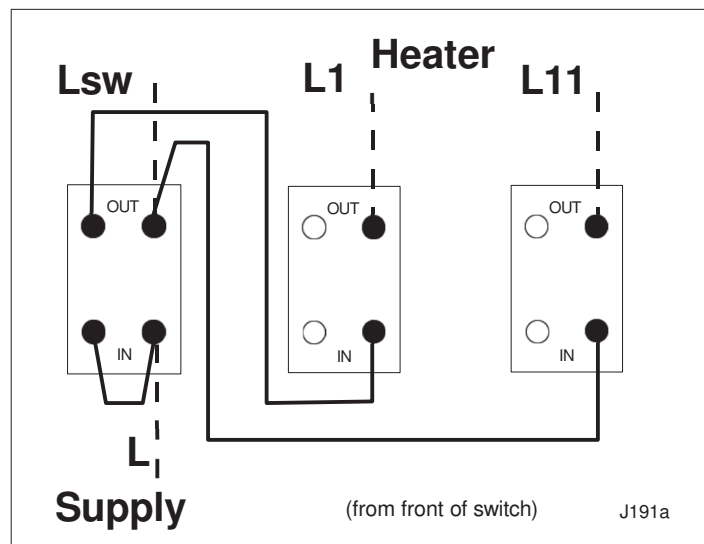
Replace grid plate ensuring cables and switches are secure.

Adjust position of plate to line up with front cover. Replace front cover

IMPORTANT

Any modification to the switching of the unit must ensure that the heating elements cannot be energised without the fan running

THIS UNIT MUST BE EARTHED



WARRANTY

This product is guaranteed, in accordance with our Conditions of Sale, for a period of 12 months from date of purchase. We will repair or replace, at our discretion, any part found to be defective. We cannot accept responsibility for any consequential liability.

The warranty will be invalid if the heater has not been installed in accordance with these instructions. This does not affect your statutory rights.